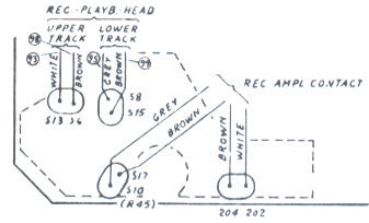
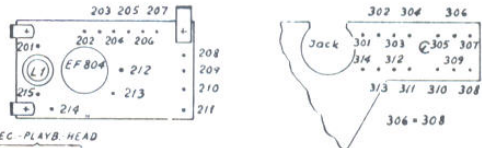
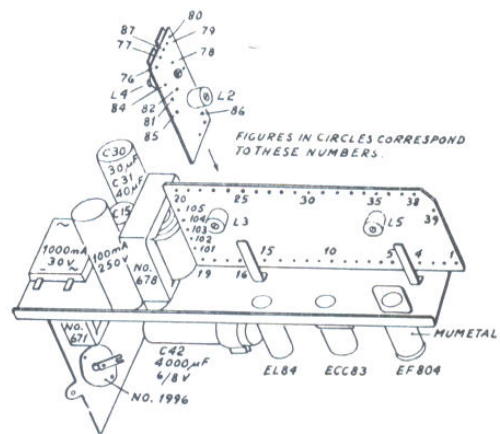
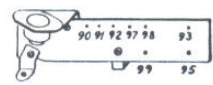
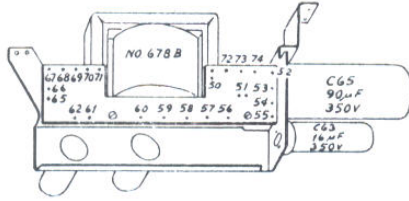
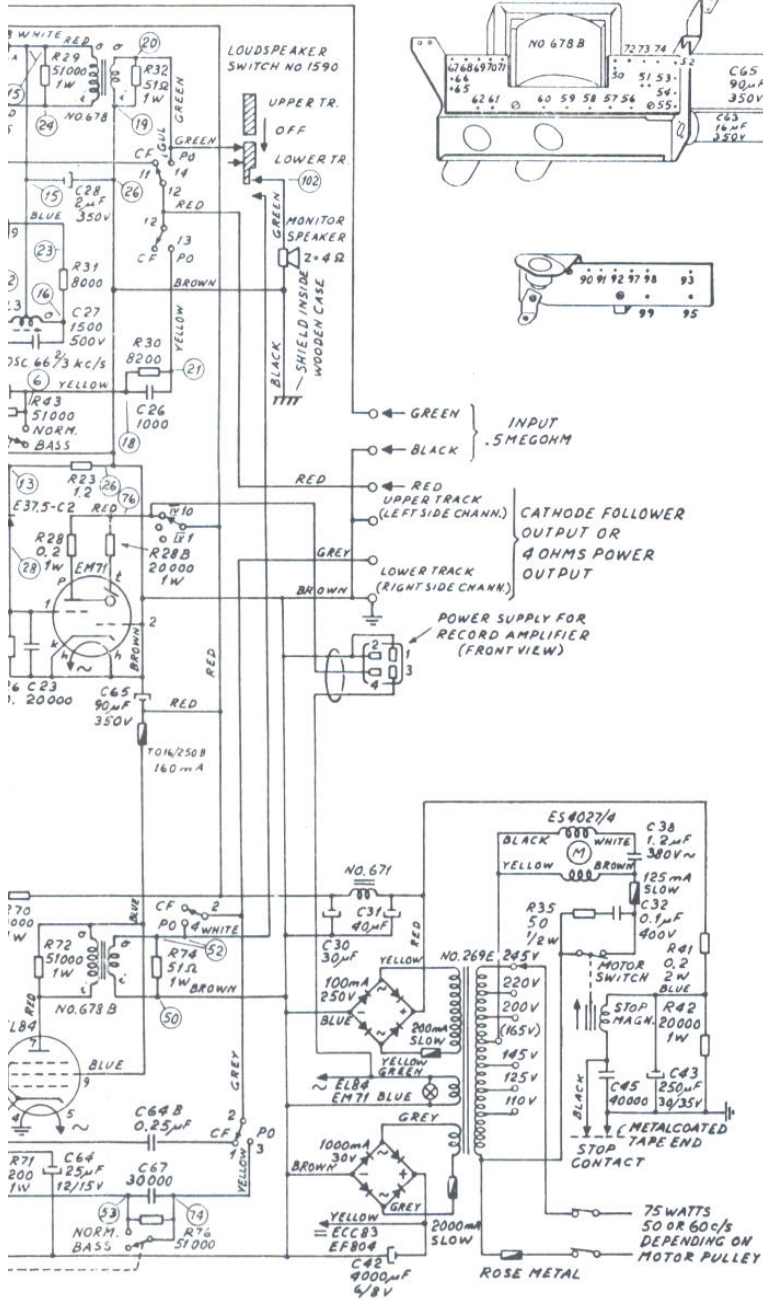
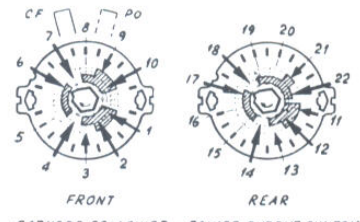
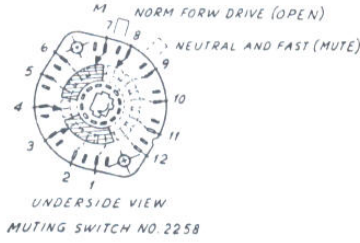


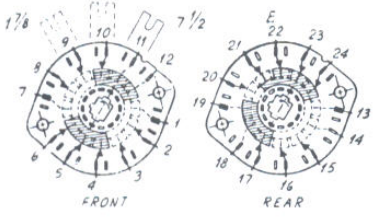
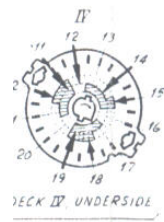
MODE SWITCH NO 2243



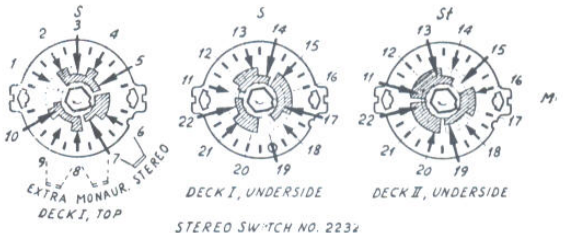
FRONT OF RECORDER



CATHODE FOLLOWER - POWER OUTPUT SWITCH NO. 2253



EQUALIZATION SWITCH NO. 1996



STEREO SWITCH NO. 2234

FRONT OF RECORDER

TANDBERG TAPE RECORDER MODEL 5  
DRAWING NO. 2240